

LED Square Light

HFHA-C100□
HFHA-C100□-24

* Electric Power Consumption 22W (Red, White, Blue)

15W (Green)

12.5W (Infrared)

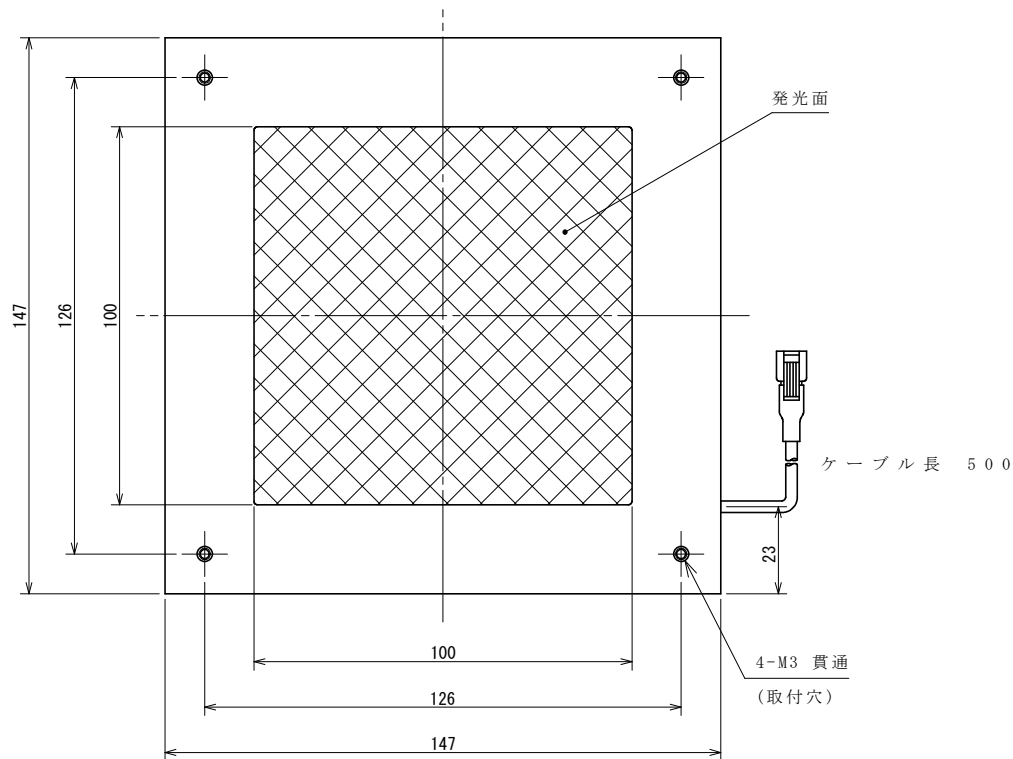
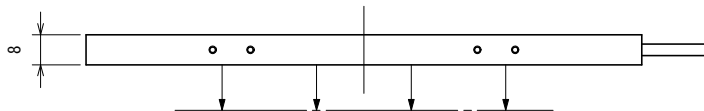
(Note) Please do not remove the tags attached to the product.

Light-emitting part during lighting, please do not look directly.

(注) 製品に取り付けられているタグは外さないでください。

点灯中の発光部は、直視しないでください。

color
□
Red
R
White
W
Blue
B
Green
G
Infrared
IR-850



Details of Connector

for DC12V

	Light	Power Supply
Connector	SMR-02V-B	SMP-02V-BC
Contact	BYM-001T-P0.6	BHF-001T-0.8SS

for DC24V

	Light	Power Supply
Connector	SMR-03V-B	SMP-03V-BC
Contact	BYM-001T-P0.6	BHF-001T-0.8SS