

LED Square Light

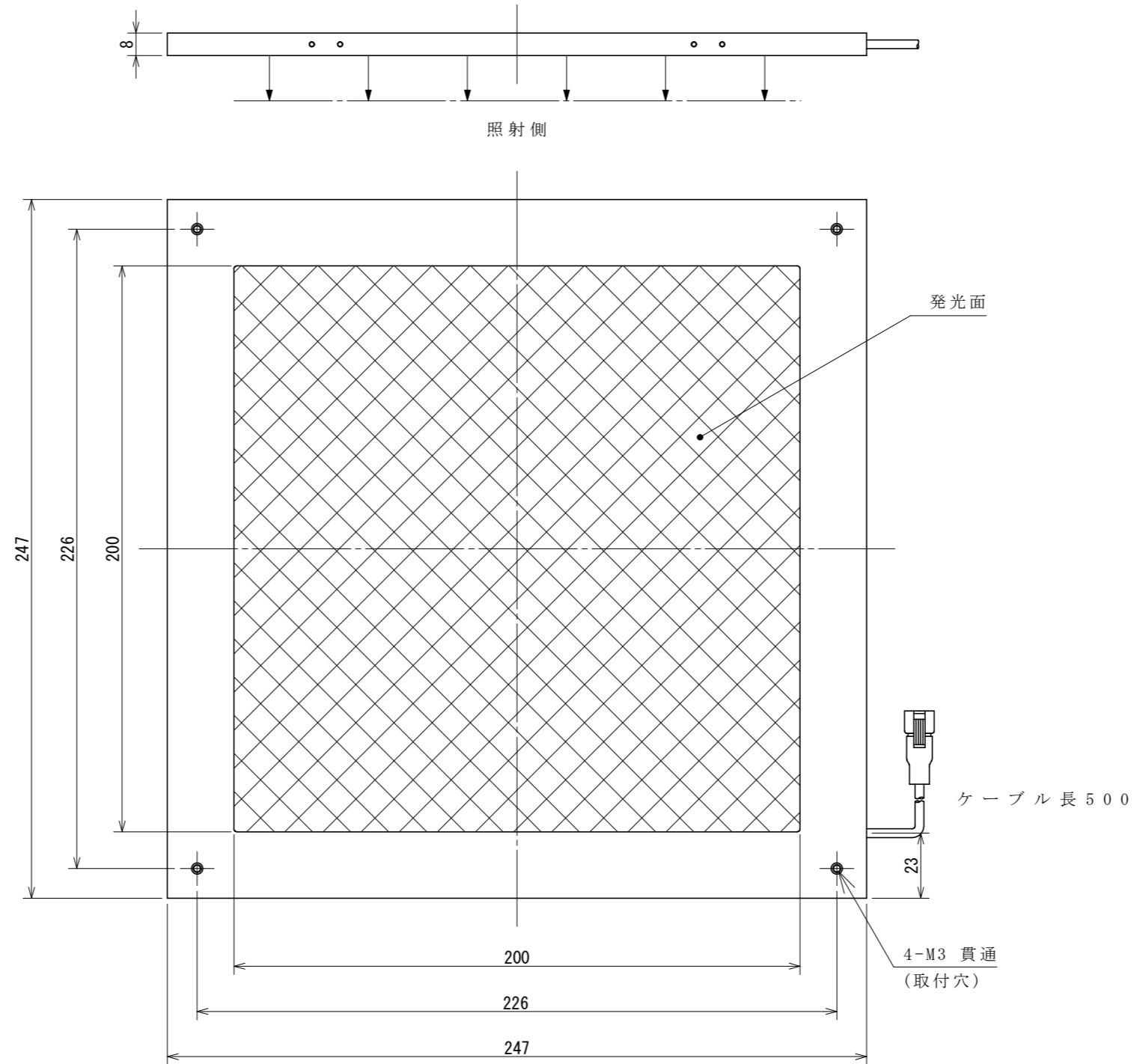
HFHA-C200 □
 HFHA-C200 □ - 24

* Electric Power Consumption
 12V
 27.5W (Green) 30.0W (White, Red, Blue)
 20.5W (Infrared)
 24V
 27.5W (Green) 33.0W (White, Red, Blue)
 20.5W (Infrared)

(Note) Please do not remove the tags attached to the product.
 Light-emitting part during lighting, please do not look directly.

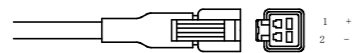
① 製品に取り付けられているタグは外さないでください。
 ② 点灯中の発光部を、直視しないでください。

| | |
|----------|--------|
| color | □ |
| Red | R |
| White | W |
| Blue | B |
| Green | G |
| Infrared | IR-850 |



Details of Connector

for DC12V



| | Light | Power Supply |
|-----------|---------------|----------------|
| Connector | SMR-02V-B | SMP-02V-BC |
| Contact | BYM-001T-P0.6 | BHF-001T-0.8SS |

for DC24V



| | Light | Power Supply |
|-----------|---------------|----------------|
| Connector | SMR-03V-B | SMP-03V-BC |
| Contact | BYM-001T-P0.6 | BHF-001T-0.8SS |