

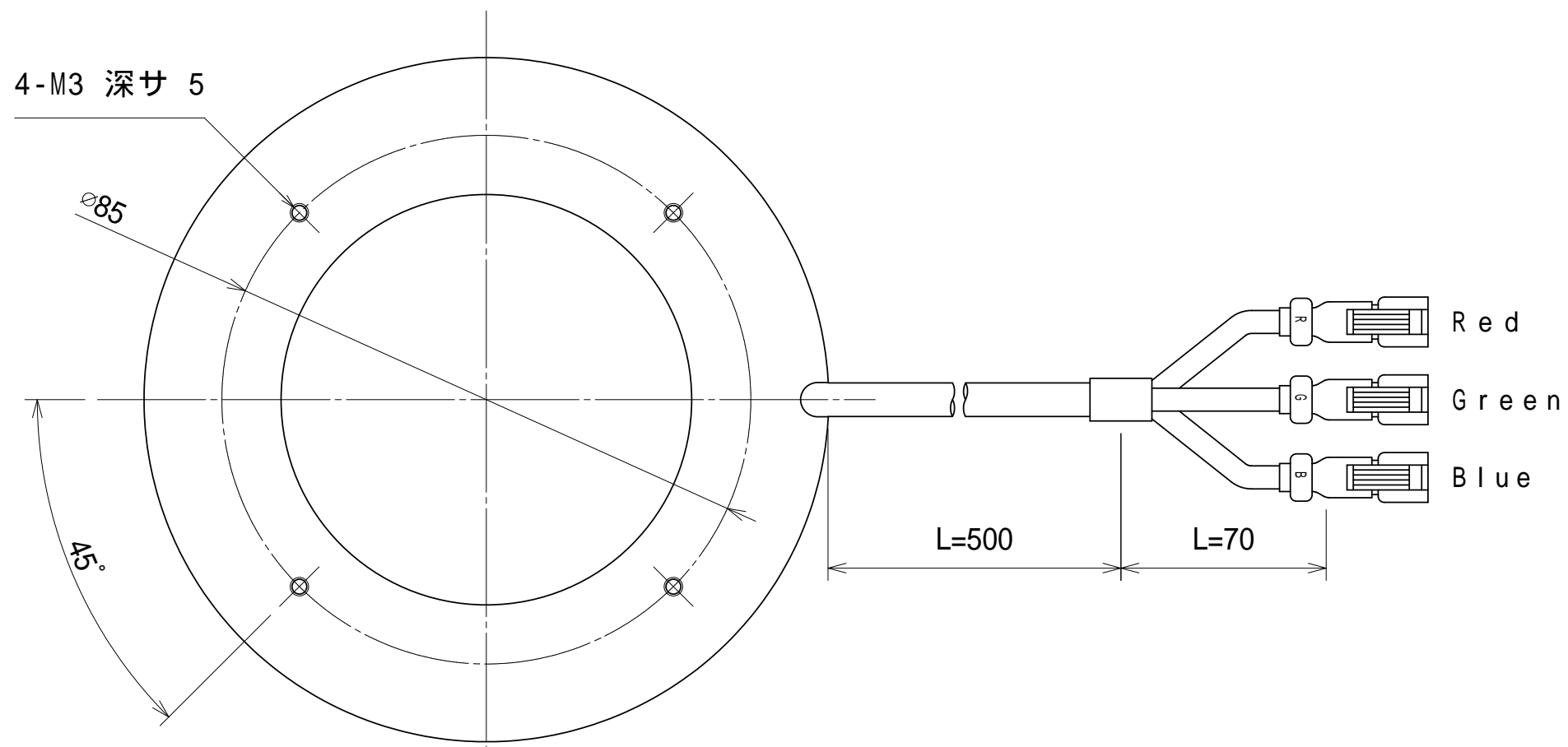
LED Ring Light

HMAR-110RGB (DC12V) / HMAR-110RGB-24 (DC24V)

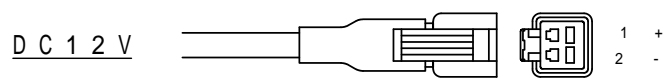
- * RGB LEDs
- * Electric Power Consumption 10.2W (R:3.4W, G:3.4W, B:3.4W)

(Note) Please do not remove the tags attached to the product.
Light-emitting part during lighting, please do not look directly.

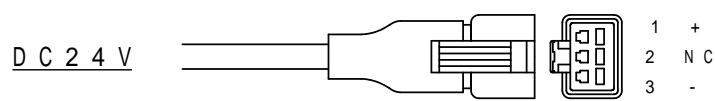
(注) 製品に取り付けられているタグは外さないでください
点灯中の発光部は、直視しないでください



Details of Connector



	Light	Power Supply
Connector	SMR-02V-B	SMP-02V-BC
Contact	BYM-001T-P0.6	BHF-001T-0.8SS



	Light	Power Supply
Connector	SMR-03V-B	SMP-03V-BC
Contact	BYM-001T-P0.6	BHF-001T-0.8SS

