

LED Ring Light

HMAR-LA170

* Electric Power Consumption 20W (White, Blue)

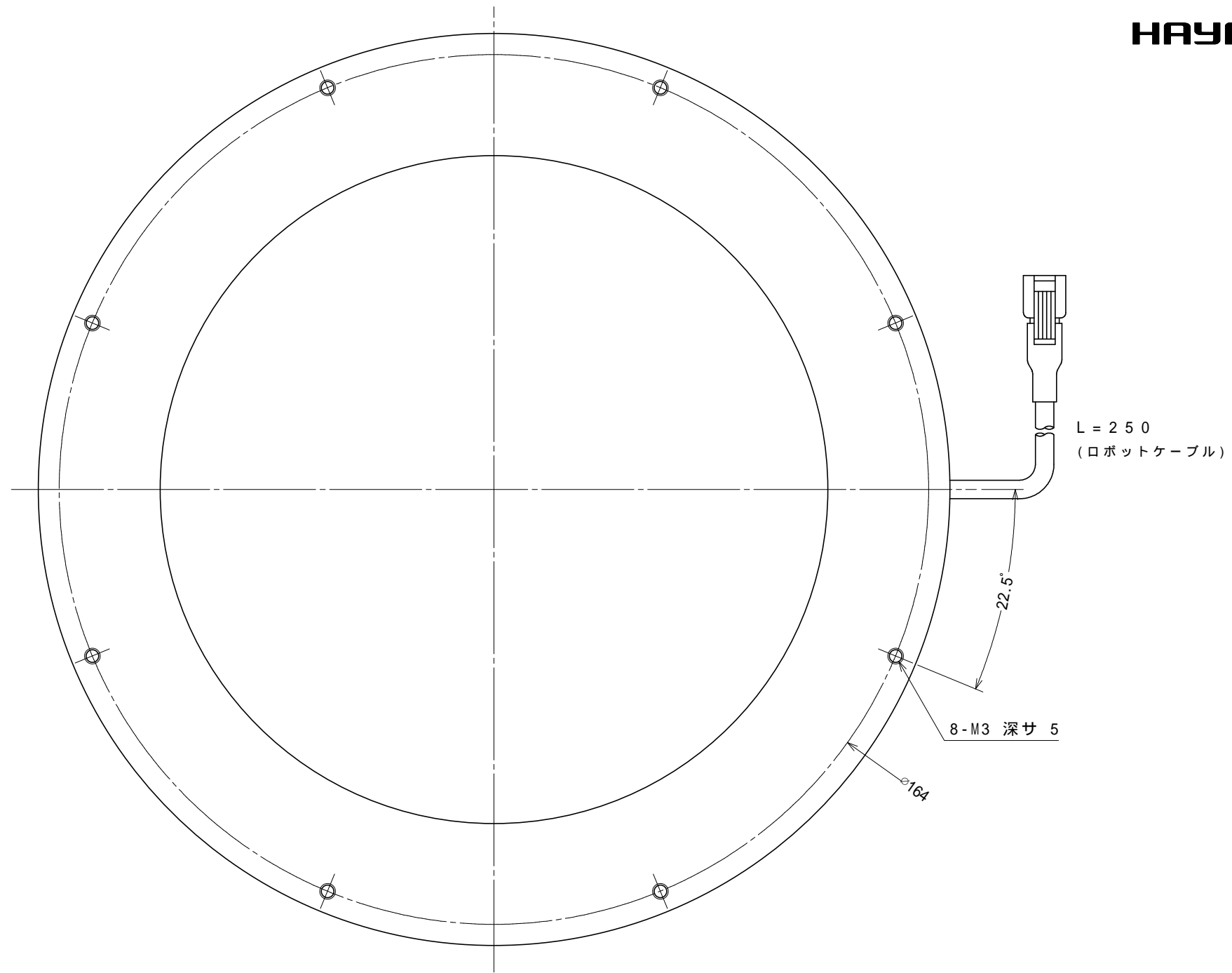
⑤

(Note) Please do not remove the tags attached to the product.
Light-emitting part during lighting, please do not look directly.

(注) 製品に取り付けられているタグは外さないでください。
点灯中の発光部は、直視しないでください。



color	Input voltage
White W	DC12V
Red R	
Blue B	
White W - 2 4	DC24V
Red R - 2 4	
Blue B - 2 4	



Details of Connector

for DC12V in

	Light	Power Supply
Connector	SMR-02V-B	SMP-02V-BC
Contact	BYM-001T-P0.6	BHF-001T-0.8SS

for DC24V in

	Light	Power Supply
Connector	SMR-03V-B	SMP-03V-BC
Contact	BYM-001T-P0.6	BHF-001T-0.8SS